



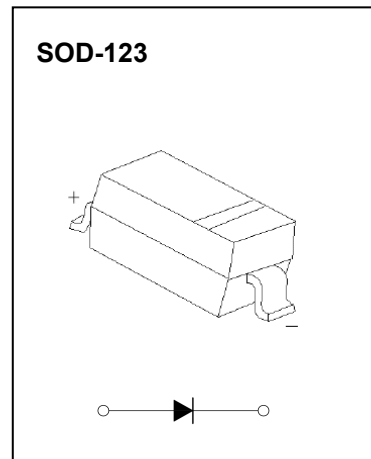
SOD-123 Plastic-Encapsulate Diodes

SCHOTTKY BARRIER DIODE

FEATURES

For use in low voltage, high frequency inverters
Free wheeling, and polarity protection applications.

MARKING: **S4**



Maximum Ratings and Electrical Characteristics, Single Diode @Ta=25°C

Parameter	Symbol	B5819W	Unit
Non-Repetitive Peak Reverse Voltage	V_{RM}	40	V
Peak Repetitive Peak Reverse Voltage Working Peak Reverse Voltage DC Blocking Voltage	V_{RRM} V_{RWM} V_R	40	V
RMS Reverse Voltage	$V_{R(RMS)}$	28	V
Average Rectified Output Current	I_O	0.35	A
Peak Forward Surge Current @t=8.3ms	I_{FSM}	2	A
Repetitive Peak Forward Current	I_{FRM}	0.5	A
Power Dissipation	P_d	400	mW
Thermal Resistance Junction to Ambient	$R_{\theta JA}$	20	°C/W
Storage Temperature	T_{STG}	- 65—+125	°C

ELECTRICAL CHARACTERISTICS (Ta=25°C unless otherwise specified)

Parameter	Symbol	Test conditions	Min	Max	Unit
Reverse breakdown voltage	$V_{(BR)}$	$I_R=1mA$ B5819W	40		V
Reverse voltage leakage current	I_R	V_R $V_R=40V$ B5819W		5	uA
Forward voltage	V_F	B5819W $I_F=0.35A$ $I_F=2A$		0.37 0.6	V
Diode capacitance	C_D	$V_R=0V, f=1MHz$		50	pF

Typical Characteristics

B5819W

